

CURRENT TRANSFORMER FOR INDUSTRY APPLICATION

SERIES 802X / 803X

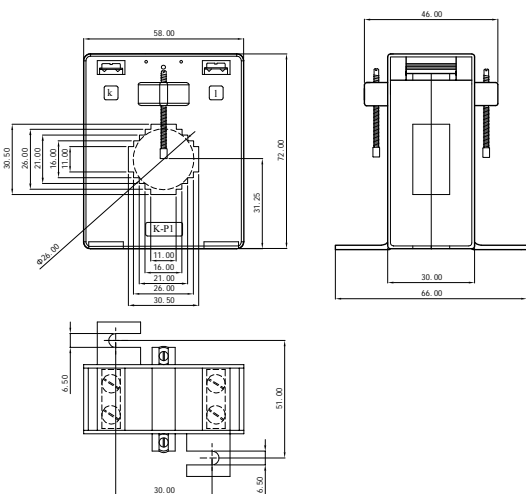


FEATURES

- Provided with busbar window
- Provided with mounting clamps and screws
- Optional with DIN Rail mounting clip
- Safety locks for secondary terminals
- Performs according to IEC 61869-2 (revised IEC 60044-1) standards
- Fully RoHS compliant
- Place of manufacture is certified according to ISO 9001:2008 / ISO 14001:2004
- More details on request or in the single data sheets

ELECTRICAL SPECIFICATION

Maximum operating voltage (U_m) 0.72 kV
 Nominal frequency (f) 50 / 60 Hz
 Temperature class E
 Secondary nominal current 5A / 1A
 Thermal nominal short circuit current (I_{th}) $60 \times I_N$ (1 sec)
 Primary - Secondary insulation 3 kV
 Rated surge current (I_{dyn}) $2.5 \times I_{th}$ (1 sec)
 Over current limiting factor FS 5
 Ambient temperature. $\leq 40^\circ\text{C}$
 Accuracy class (other accuracy classes on request) 1



All dimensions are in mm

Bus conductor 30 x 10 mm
 10 x 30 mm
 Round conductor $\varnothing 26$ mm

Order number	Current [A]		Burden [VA]
	I_p	I_s	
L01-8020	50	5	1
L01-8021	75	5	1
L01-8022	100	5	2.5
L01-8023	150	5	2.5
L01-8024	200	5	2.5
L01-8025	250	5	2.5
L01-8026	300	5	2.5
L01-8027	400	5	2.5
L01-8028	400	5	5
L01-8029	500	5	2.5
L01-8030	500	5	5

Types with other parameters are available upon request